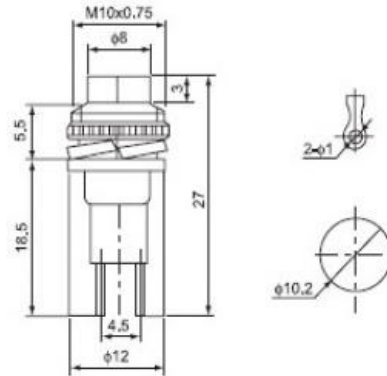


DS-314 OFF-(ON)



DS-314 10mm diameter momentary ON or momentary OFF mini pushbutton switch

Specification:

Ambient temperature: $-10^{\circ}\text{C} \sim +85^{\circ}\text{C}$

Contact resistance: $< 20\text{M}\Omega$

Insulation resistance: $>500\text{VDC } 100\text{M}\Omega$ Minute

Withstand voltage: $>1000\text{VAC}$, 1 Minute

Operating Temperature: $-25^{\circ}\text{C} \sim +85^{\circ}\text{C}$

Mechanical life: >50000 CYCLES

Electrical life: >10000 CYCLES