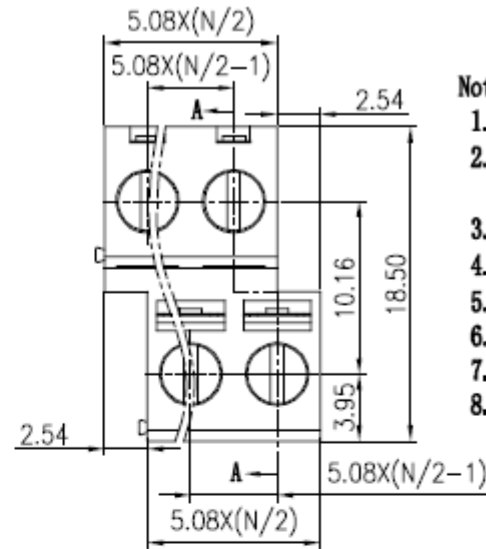
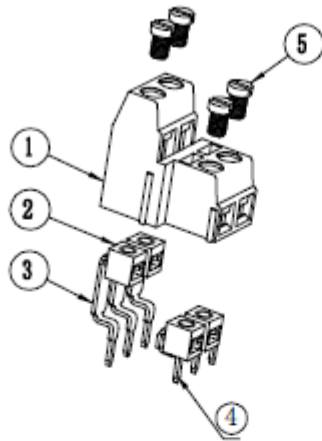


REVISION RECORD

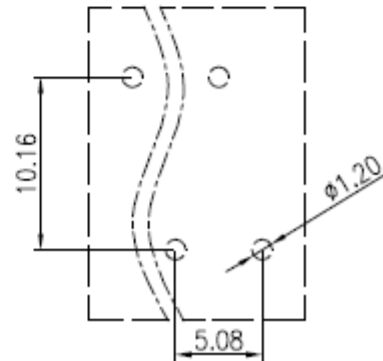
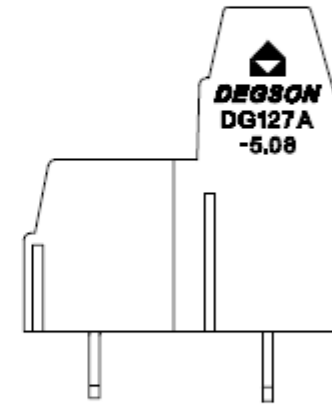
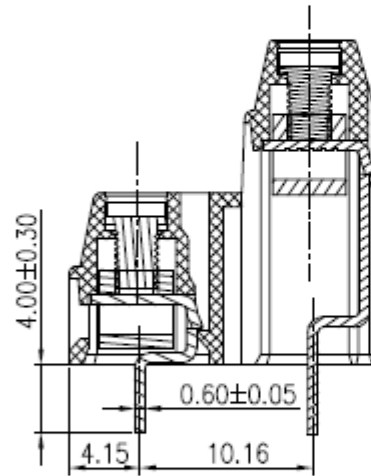
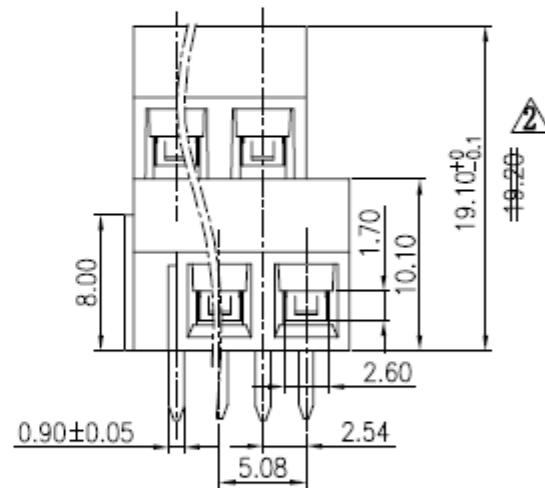
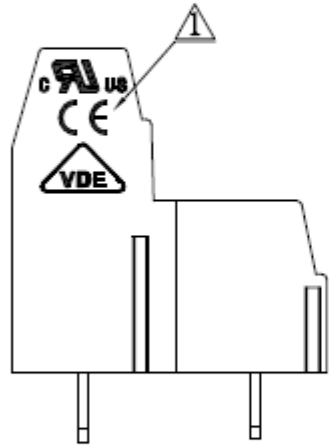
REV	ECO	DESCRIPTION	DRFT	DATE
△		增加VDE, UL, CE刻字	Zengy	04/03/08
△	0-010	根据客户要求变更	Mickey	12/22/08



Notes:

1. Pitch: 5.08mm , Poles: 4P-XXP
2. Rated voltage/current: UL 300V/12A
VDE 250V/15A
3. Operation temperatures: -40℃~+105℃
4. Withstanding Voltage: AC2000V/1Min
5. Insulation Resistance: 5000MΩ/DC1000V
6. Wire Range: 26-14AWG, 0.5-1.5mm²
7. Max. Torque Value: M2.5, 4.08kgf.cm
8. Undimensioned Tolerances:

Pitch range in mm		Nominal dimension range in mm						
to	over	to	over	to	over	to	over	—
6	6	10	10	30	30	60	60	∩
	to	to	to	to	to	to	to	□
	10	24	30	60	100	150	150	
±0.10	±0.15	±0.25	±0.2	±0.3	±0.5	±0.7	±1.0	0.05/10



3	DG127A-5.08-Pin	4107B00010 (H)	XX/2	Brass	SnCe plated
2	DG127 Cage	X000000170 (H)	XX	Brass	Ni plated
1	DG127A-5.08-Housing	4107A0YXXA (H)	1	PA66	UL94V-0

ITEM	NAME OF PART	NO. OF PART	Q'TY	MATERIAL	NOTES
TOLERANCES EXCEPT AS NOTED		DATE 04/23/08*			
MM (INCH)		CHKD DATE			
.0 ±		MFG DATE			
.00 ±		APPL DATE			
.000 ±		MATERIAL :			
ANGLES ± 1°		G.F. :			

DEGSON 宁波高正电子有限公司
DEGSON ELECTRONICS CO., LTD

NAME (注: XX为偶数)
DG127A-5.08-XXP-1Y-00A(H)