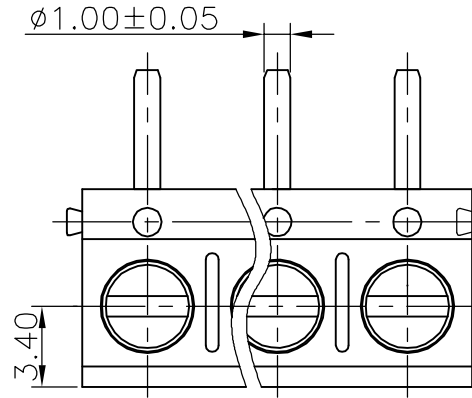
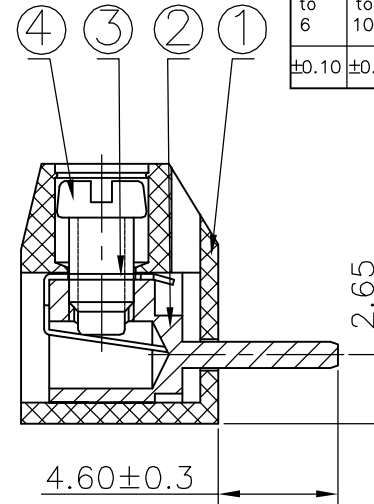
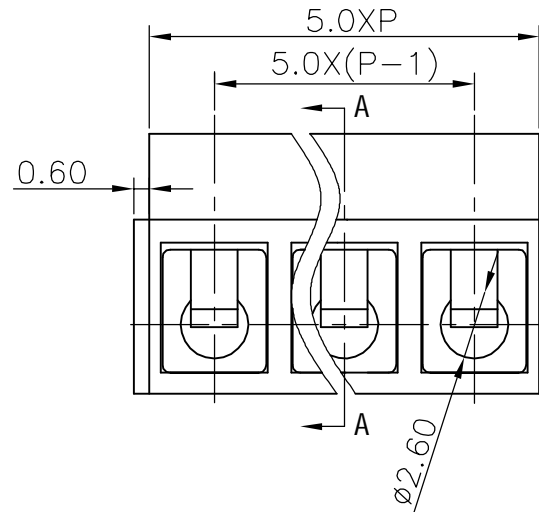
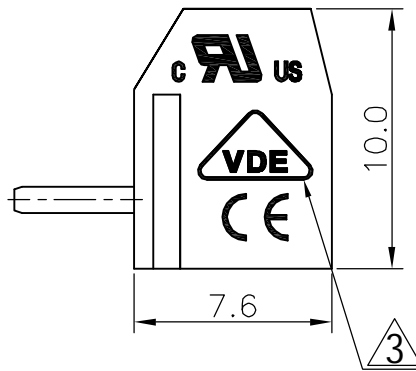


REVISION RECORD				
REV	ECO	DESCRIPTION	DRFT	DATE
△		Drawing Revise	Haoyh	03/20/06
△		工程变更	CSX	07/12/06
△		增加VDE、CE标志	LJH	12/03/07



- Notes:
- pitch: 5.0mm
 - Rated voltage/current: UL 300V/10A
VDE 250V/17.5A
 - Insulation resistance: 5000MΩ/1000V
 - Withstanding voltage: AC2000V/1Min
 - Wire range: 22-14AWG 1.5mm²
 - Temp. Range: -30° C ~ +120° C
 - Torque: 4.08kgf.cm (3.54b.in)
 - Undimensioned Tolerances:

Pitch range in mm		Nominal dimension range in mm						
	over 6 to 6	over 10 to 10	over 10 to 24	over 30 to 30	over 60 to 60	over 100 to 100	over 150 to 150	—
	±0.10	±0.15	±0.25	±0.2	±0.3	±0.5	±0.7	±1.0
								0.05/10



Section A-A

4	DG301-Screws	S000001420(H)	XX	Steel	Cr ³⁺ Zn
3	DG301-Spring	X000000250(H)	XX	Stainless steel	
2	DG301R-pin	4005B00020(H)	XX	Brass	SnCe

ITEM	NAME OF PART	NO. OF PART	Q'TY	MATERIAL	NOTES
1	DG301R-5.0-Housing	4005A0YXXA(H)	1	PBT	UL94V-0

MM (INCH)	DFTO Haoyh	DATE 03/20/06
TOLERANCES EXCEPT AS NOTED	CHKD	DATE
	MFO	DATE
	APPVL	DATE
MM		
.0 ±	±	
.00 ±	±	
.000 ±	±	
ANGLES ± 1°	G.E :	
THIRD ANGLE PROJECTION	FINISH :	
	SCALE : 1:1	

宁波高正电子有限公司 DEGSON ELECTRONICS CO., LTD	
NAME DG301R-5.0-XXP-1Y-00A(H)	
DRAWING NO. DG301R-E02	SIZE A3
/PART NO.	REV T3 12/03/07
DO NOT SCALE DRAWING	SHEET 1 OF 1