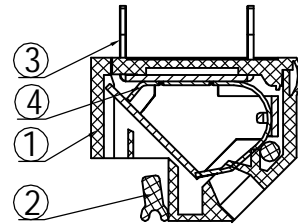
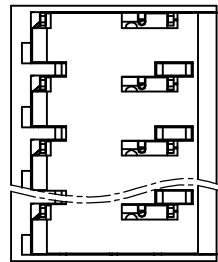
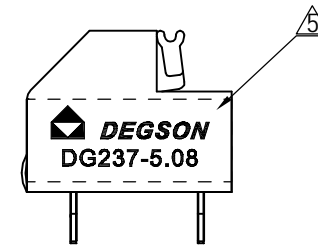
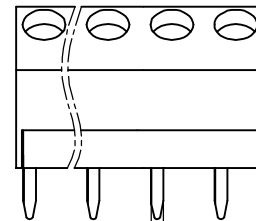
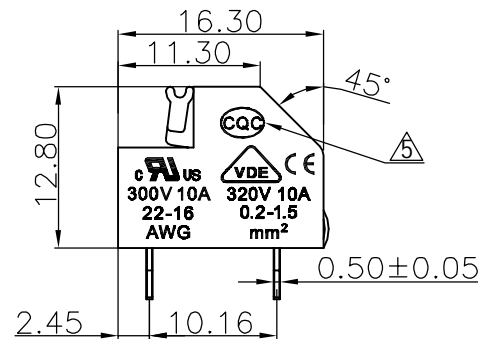
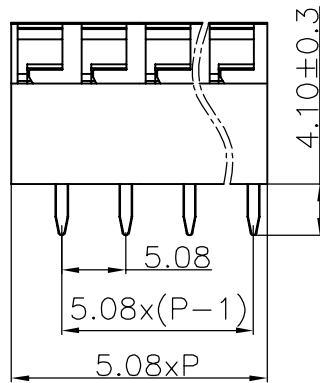
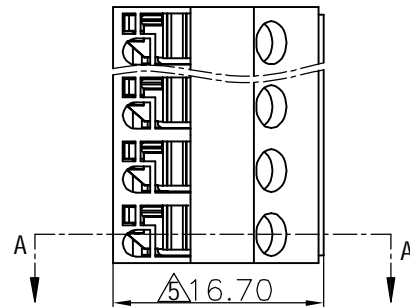


REVISION RECORD				
REV	ECO	DESCRIPTION	DRPT	DATE
△		修改刻字及整理图面	Ye j	09/06/06*
△		修改刻字	LJH	12/01/08*
△		修改刻字	LJH	12/08/08*
△		增加CQC标志	Ye j	02/10/09*
△		整体老模新开结构及刻字变更	HXG	07/25/09*



SECTION A-A



Notes:

- Pitch: 5.08mm, Poles: 2-7P
- Rated voltage/current: UL 300V/10A
VDE 320V/10A
- Operation temperatures: -40°C ~ +105°C
- Withstanding Voltage: AC2000V/1Min
- Insulation Resistance: 5000MΩ / DC1000V
- Wire Range: 22~16AWG, 0.2~1.5mm²
- Undimensioned Tolerances:

Pitch range in mm		Nominal dimension range in mm						
to	over	over	over	over	over			
6	6 to 10	10 to 24	30 to 60	60 to 100	100 to 150	150		
±0.10	±0.15	±0.25	±0.2	±0.3	±0.5	±0.7	±1.0	0.05/10

4	DG237-5.08-Shrapnel	X00000890 (H)	XX	Stainless steel	
3	DG237-5.08-Pin header	3010B00010 (H)	XX	Brass	SnCe
2	DG237-5.08-Batton	3010D0501A (H)	XX	PA66	UL94V-0
1	DG237-5.08-Housing	3010A0YXXA (H)	1	PA66	UL94V-0
ITEM	NAME OF PART	NO. OF PART	Q'TY	MATERIAL	NOTES

TOLERANCES EXCEPT AS NOTED MM .0 ± ± .00 ± ± .000 ± ±	DATE 08/09/06* CHD DATE MFO DATE APPVL DATE	NAME DEGSON® 宁波高正电子有限公司 DEGSON ELECTRONICS CO., LTD DG237-5.08-XXP-1Y-00A (H)
	MATERIAL : G. E : FINISH : SCALE : 1:1	
ANGLES ± 1° THIRD ANGLE PROJECTION	SIZE A3 REV T5 01/25/09* SHEET 1 OF 1	