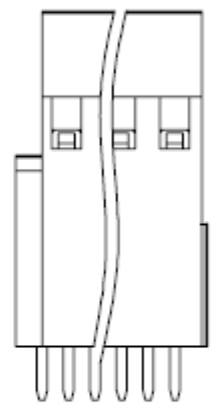
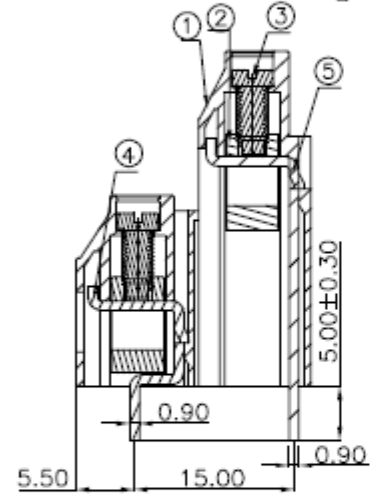
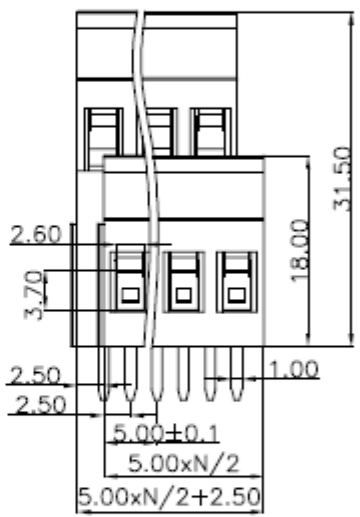
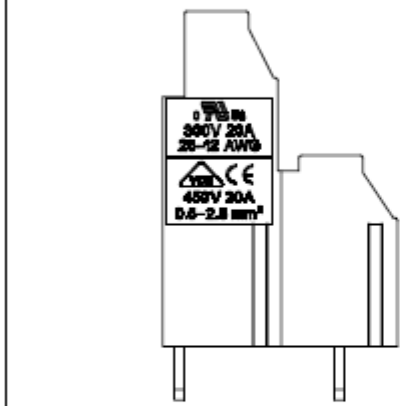
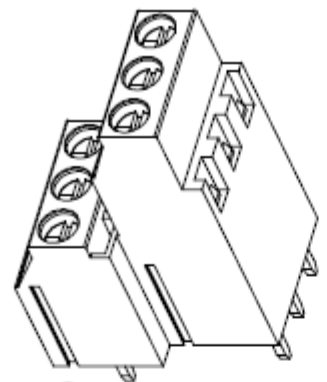
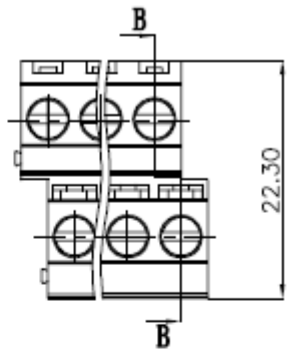
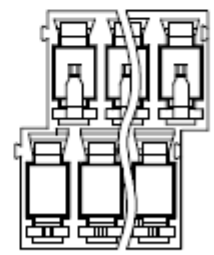


REVISION RECORD				
REV	ECC	DESCRIPTION	DRFT	DATE
△	000001	增加UL 制字及参数	Lasting	06/18/09



**Notes:**

1. Pitch: 5.0mm , Poles: 4-XXP
2. Rated voltage/current: UL 300V/20A  
IEC 450V/20A
3. Operation temperatures: -40℃~+105℃
4. Withstanding Voltage: AC2000V/1min
5. Insulation Resistance: 5000MΩ/DC1000V
6. Wire Range: 26~12AWG, 0.5~2.5mm<sup>2</sup>
7. Max. Torque Value: M3, 5. lkgf. cm
8. Undimensioned Tolerances:



Pitch range in mm		Nominel dimension range in mm						
	over 6	over 10	over 30	over 60	over 100	over 150	∩	
to 6	to 10	to 24	to 30	to 60	to 100	to 150	◇	
±0.10	±0.15	±0.25	±0.2	±0.3	±0.5	±0.7	±1.0	

ITEM	NAME OF PART	NO. OF PART	Q'TY	MATERIAL	NOTES
5	DG130H-Pin header	4125B00010 (H)	XX/2	Copper	SnCe plated
4	DG130-Pin header	4087B00010 (H)	XX/2	Brass	SnCe plated
3	DG129-Screws-M3	S000001430 (H)	XX	Steel	Cr <sup>3+</sup> Zn
2	DG129-Cage	X000000200 (H)	XX	Brass	Ni plated
1	DG130A-5.0-Housing	4129A0YXXA (H)	1	PA66	UL94V-0

TOLERANCES EXCEPT AS NOTED: MM .00 ± .000 ± ANGLES ± 1° THIRD ANGLE PROJECTION	DFTD CW DATE 06/18/09 CHKD DATE MFO DATE APPVL DATE	宁波高正电子有限公司 DEGSON ELECTRONICS CO., LTD NAME DG130A-5.0-XXP-1Y-00A(H) DRAWING NO. DG130A-5.0-E01 /PART NO.
	MATERIAL :	
	G.E :	
	FINISH :	
SCALE : 1:1	DO NOT SCALE DRAWING	SHEET 1 OF 1 SUE T1 REV 11/18/10