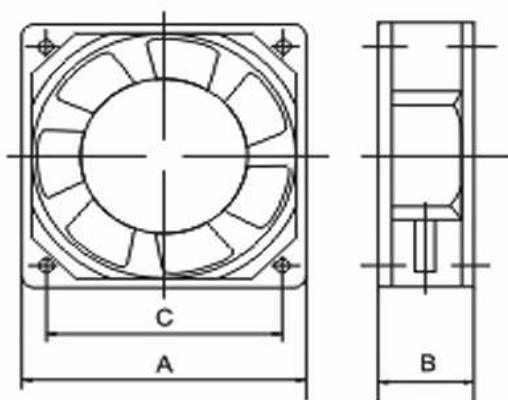
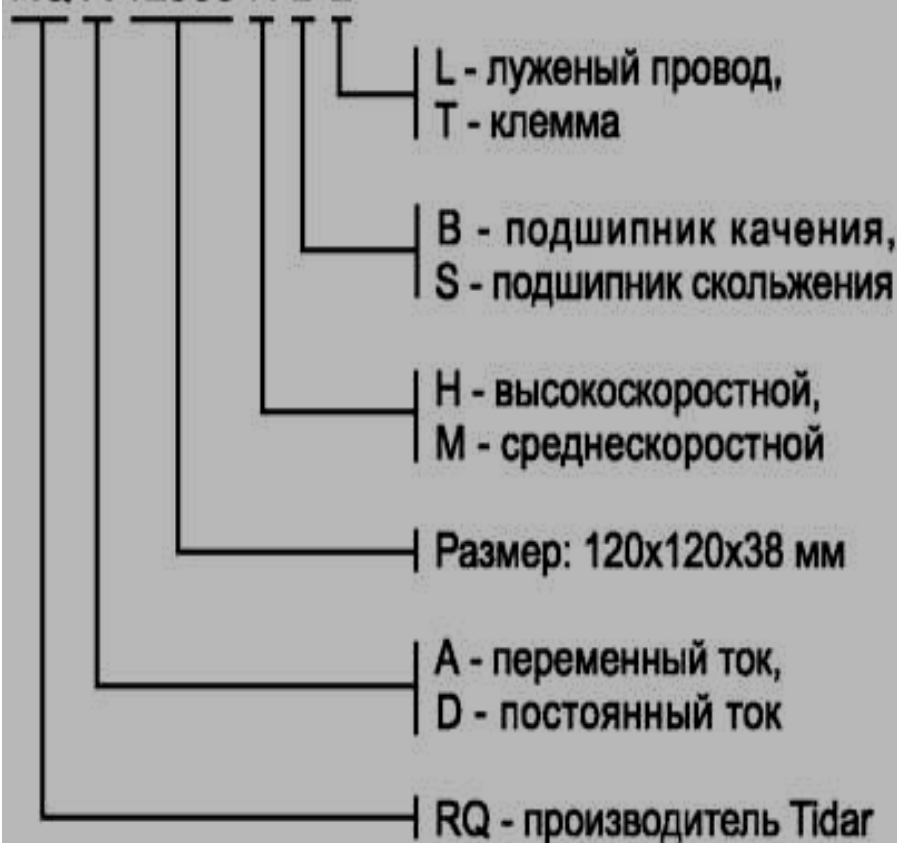


Вентиляторы RQA

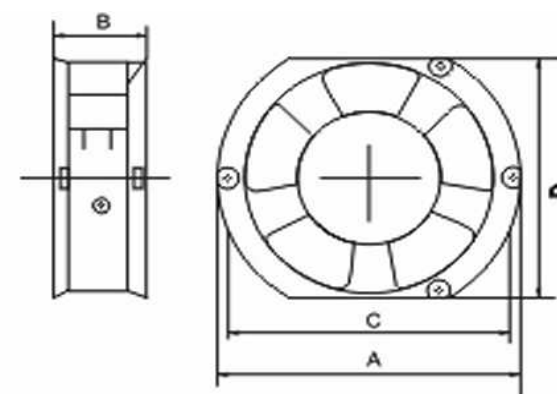
Модели	Напряжение	Текущий	Мощность	Поток воздуха	Обороты	Уровень шума	Частота	чертеж	Размеры			
	(V)	(A)	(W)	(CFM)	(RPM)	(db)	(HZ)		№	A	B	C
RQA8025HSL (T)	110/127	0.13/0.11	12/11	15/18	2400/2450	28/28.5	50/60	1	80	25	71,5	
RQA8025HSL (T)	220/240	0.09/0.08	14/13	15/18	2350/2400	27/28	50/60	1	80	25	71,5	
RQA8038hEL (T)	110/127	0.16/0.15	13/11	23/30	2400/2500	26/27	50/60	1	80	38	71,5	
RQA8038hEL (T)	220/240	0.09/0.08	15/13	23/30	2300/2600	25/26	50/60	1	80	38	71,5	
RQA8038HSL (T)	110/127	0.16/0.15	13/11	23/30	2400/2500	26/27	50/60	1	80	38	71,5	
RQA8038HSL (T)	220/240	0.09/0.08	15/13	23/30	2300/2600	25/26	50/60	1	80	38	71,5	
RQA9225hEL (T)	110/127	0.11/0.10	14/12	32/40	2400/2450	27/26	50/60	1	92	25	82,5	
RQA9225hEL (T)	220/240	0.09/0.08	14/12	32/40	2400/2450	27/26	50/60	1	92	25	82,5	
RQA9225HSL (T)	110/127	0.11/0.10	16/15	28/34	2300/2400	27/26	50/60	1	92	25	82,5	
RQA9225HSL (T)	220/240	0.09/0.08	16/15	28/34	2300/2400	25/26	50/60	1	92	25	82,5	
RQA9238hBL (T)	110/127	0.15/0.14	13/12	50/54	2300/2400	28/27	50/60	1	92	38	82,5	
RQA9238hEL (T)	220/240	0.12/0.11	18/17	50/54	2400/2500	29/28	50/60	1	92	38	82,5	
RQA9238HSL (T)	110/127	0.15/0.14	13/12	50/54	2300/2400	28/27	50/60	1	92	38	82,5	
RQA9238HSL (T)	220/240	0.12/0.11	18/17	50/54	2400/2500	29/28	50/60	1	92	38	82,5	
RQA10826HBL (T)	110/127	0.22/0.21	16/15	30/35	2000/2100	39/41	50/60	1	108	26	98	
RQA10826HBL (T)	220/240	0.10/0.09	17/16	30/35	2100/2100	40/41	50/60	1	108	26	98	
RQA10826HSL (T)	110/127	0.22/0.21	16/15	30/35	2000/2100	39/41	50/60	1	108	26	98	
RQA10826HSL (T)	220/240	0.10/0.09	17/16	30/35	2100/2100	40/41	50/60	1	108	26	98	
RQA12025HBL (T)	110/127	0.15/0.14	16/15	38/42	2000/2100	37/37.5	50/60	1	120	25	104,5	
RQA12025HBL (T)	220/240	0.08/0.75	19/18	38/42	2300/2450	39/40	50/60	1	120	25	104,5	
RQA12025HSL (T)	110/127	0.15/0.14	16/15	38/42	2000/2100	37/37.5	50/60	1	120	25	104,5	
RQA12025HSL (T)	220/240	0.08/0.75	19/18	38/42	2300/2450	39/40	50/60	1	120	25	104,5	
RQA12038HBL (T)	110/127	0.24/0.23	25/23	90/100	2600/3100	41/44	50/60	1	120	38	104,5	
RQA12038HBL (T)	220/240	0.14/0.13	26/23	90/100	2650/3180	42/47	50/60	1	120	38	104,5	
RQA12038HSL (T)	110/127	0.24/0.23	25/23	90/100	2600/3100	41/44	50/60	1	120	38	104,5	
RQA12038HSL (T)	220/240	0.14/0.13	26/23	90/100	2650/3180	42/47	50/60	1	120	38	104,5	
RQA12038HSL (T)	380/400	0.07/0.06	14/12	90/100	2600/3100	40/43	50/60	1	120	38	104,5	
RQA12038HS (B) L	110/220	0.14/0.23	26/23	90/100	2650/3180	40/41	50/60	1	120	38	104,5	
RQA15050HBL (T)	110/127	0.47/0.46	37/35	150/170	2400/2800	47/47.5	50/60	2	172	50	163	150
RQA15050HBL (T)	220/240	0.23/0.22	35/33	150/170	2400/2800	45/46	50/60	2	172	50	163	150
RQA15050HSL (T)	220/240	0.23/0.22	35/33	150/170	2400/2800	45/46	50/60	2	172	50	163	150
RQA17051HB	110/127	0.65/0.63	55/54	150	2200/2700	65	50/60	4	170	51	154	
RQA17051HB	220/240	0.30/0.29	55/54	150	2200/2700	65	50/60	4	170	51	154	
RQA17251HB	110/127	0.60/0.59	55/54	150	2200/2700	65	50/60	3	172	51	163	
RQA17251HB	220/240	0.30/0.29	55/54	150	2200/2700	65	50/60	3	172	51	163	
RQA20060HB	220/240	0.31/0.30	56/54	180/178	2000/2050	41/42	50/60	3	222	60	209	
RQA20060HB	110/127	0.38/0.36	58/57	182/180	2100/2200	42/43	50/60	3	222	60	209	

Система обозначений:

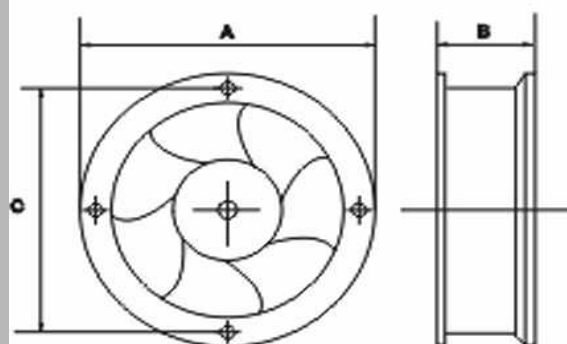
RQ A 12038 H B L



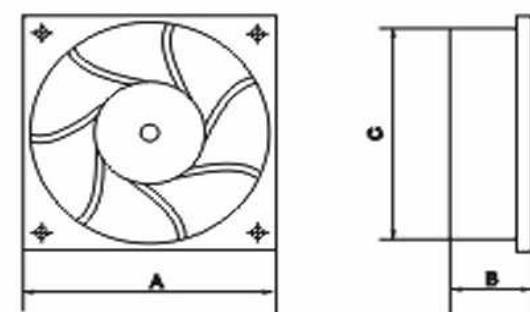
Чертеж № 1



Чертеж № 2



Чертеж № 3



Чертеж № 4