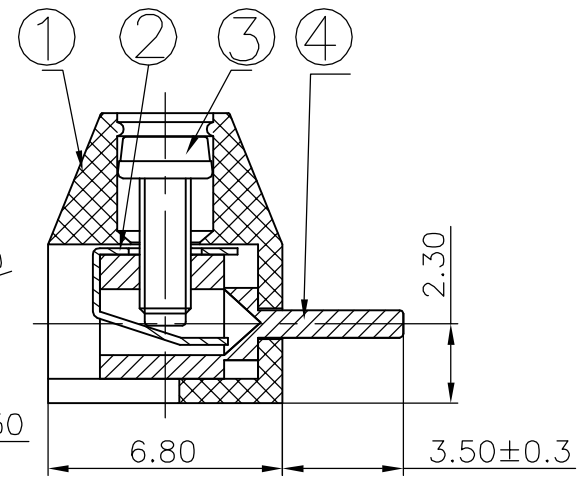
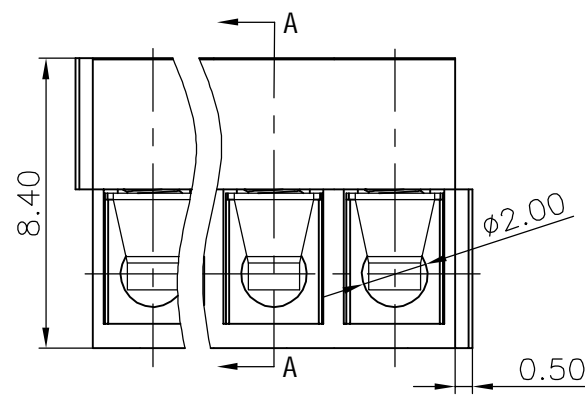
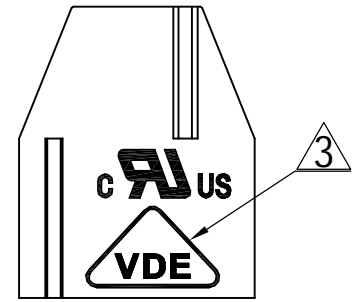
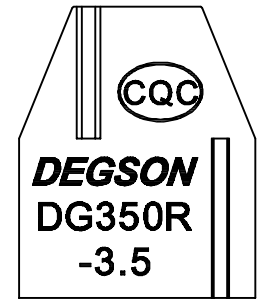
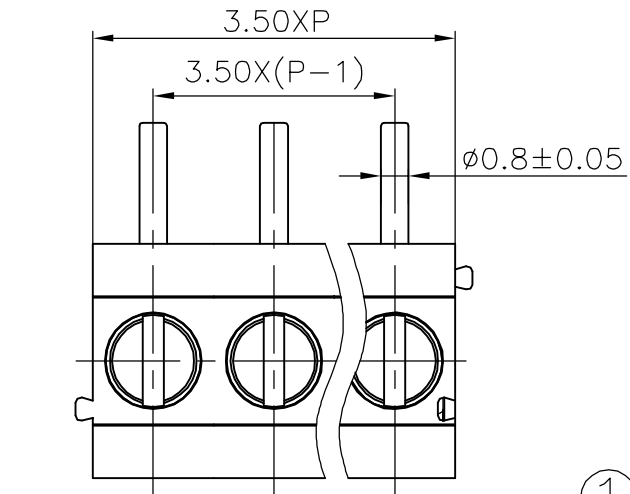


REVISION RECORD				
REV	ECO	DESCRIPTION	DRFT	DATE
△		Drawing Revise	Haoyh	03/18/06
△		修改刻字	CSX	09/25/06
△		增加VDE刻字	LJH	12/28/07



- Notes:
1. Pitch: 3.5mm
  2. Rated voltage/current: UL 300V/10A  
VDE 130V/10A
  3. Operation temperatures: -40°C ~ +105°C
  4. Withstanding Voltage: AC2000V/1min
  5. Insulation Resistance: 5000MΩ /DC1000V
  6. Wire Range: 24-18AWG, 1mm<sup>2</sup>
  7. Max. Torque Value: M2, 2.04kgf.cm
  8. Undimensioned Tolerances:

Pitch range in mm		Nominal dimension range in mm						
to	over	to	over	to	over	to		
6	6	10	10	30	30	100	150	□
±0.10	±0.15	±0.25	±0.2	±0.3	±0.5	±0.7	±1.0	0.05/10

4	DG350R-Pin header	4018B00010(H)	XX	Brass	SnCe
3	DG350-Screws	S000001400(H)	XX	Steel	Cr <sup>3+</sup> Zn
2	DG350-Cage	X000000290(H)	XX	Phosphor bronze	Ni plated

ITEM	NAME OF PART	NO. OF PART	Q'TY	MATERIAL	NOTES
1	DG350-3.5-Housing	4018A0YXXA(H)	1	PA66	UL94V-0

DFTO L I U M DATE 10/04/05" CHKD DATE MFO DATE APPVL DATE	宁波高正电子有限公司 <b>DEGSON</b> <sup>®</sup> DEGSON ELECTRONICS CO., LTD
MM .0 ± ± .00 ± ± .000 ± ±	NAME DG350R-3.5-XXP-1Y-00A(H)
ANGLES ± 1° THIRD ANGLE PROJECTION	G.E : FINISH : SCALE :
DRAWING NO. DG350R-3.5-E02 /PART NO.	
DO NOT SCALE DRAWING	
SHEET 1 OF 1	