

型号说明 Ordering Information

PBS-10B-2

改进2型 Improved type 2
 电路特性 Circuitry trait
 产品序号 Product order
 按钮开关 Push-button switch

技术特性 Specification

- 1.规格 Rating:3A 125VAC;1A 250VAC
- 2.接触电阻 Contact Resistance:20mΩ max
- 3.绝缘电阻 Insulation Resistance:500VDC 100MΩ min
- 4.耐电压 Dielectric Strength:1000VAC, 1Minute
- 5.操作温度 Operating Temperature:-25°C ~ +85°C
- 6.电气寿命 Electrical Life:50,000 Cycles

电路特性 Circuitry trait

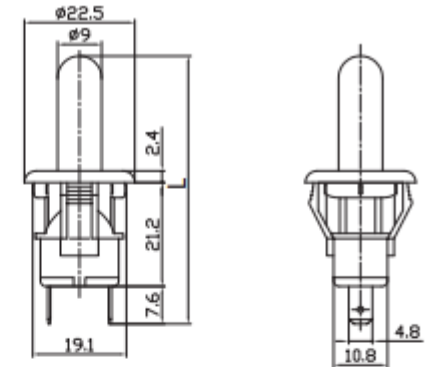
A	ON - OFF	Push on/Push off	With lock
B	(ON) - OFF	Push on	Momentary(Open type)
C	ON - (OFF)	Push off	Momentary(Close type)
():回弹指示 Indicates Momentary			

按钮颜色 Push-button color

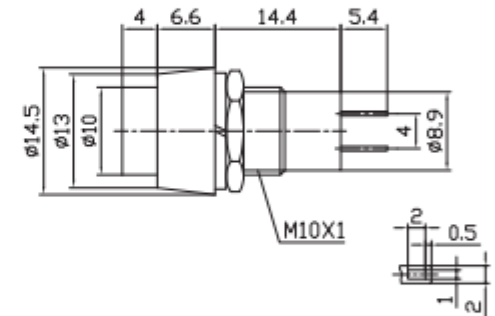
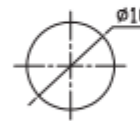
红 Red	白 White
绿 Greed	黑 Black
桔黄 Orange	黄 Yellow
蓝 Blue	



PBS-19B-2 OFF-(ON)
PBS-19C-2 ON-(OFF)
 L=54.6
PBS-19B-3 OFF-(ON)
PBS-19C-3 ON-(OFF)
 L=44.6
 5A 125VAC;2.5A 250VAC



PBS-20A-2 ON-OFF
PBS-20B-2 OFF-(ON)



PBS-24B-2 OFF-(ON)
PBS-24C-2 ON-(OFF)
 10A 125VAC;6A 250VAC
 SPST 2P

