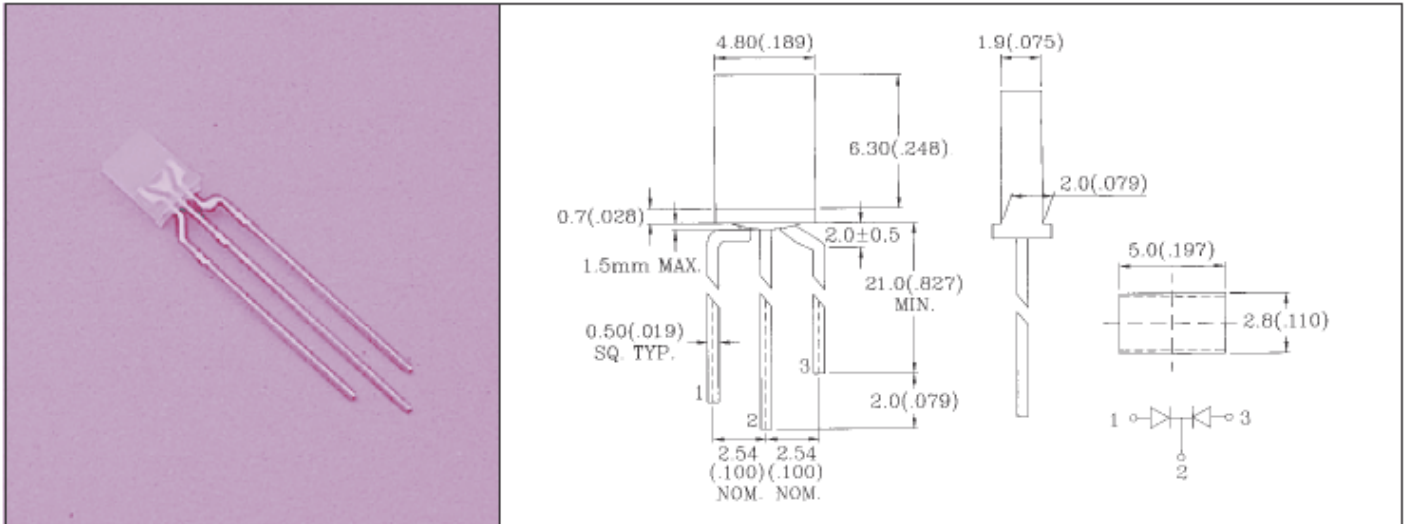
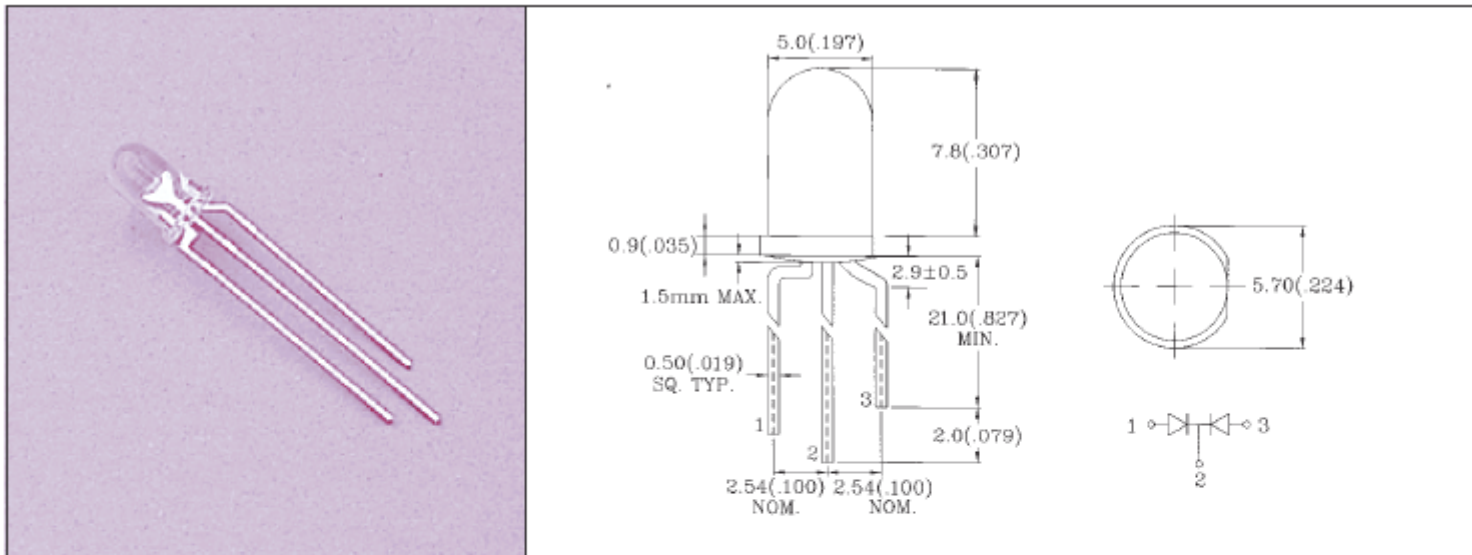


L-419XX 2.0x5.0x7.0 mm RECTANGULAR LED LAMP, MULTI-COLOR



Part No.	Chip		Lens Color	Wave Length λ p(nm)	Electro-Optical Characteristics			View Angle (deg)
	Raw Material	Emitted Color			Vf(V)20mA		Iv(mcd)20mA	
					Typ.	Max.	Typ.	
L-419HGW	GaP	Red	White Diffused	700	2.3	2.8	0.8	120
	GaP	Green		565	2.2	2.8	2.5	
L-419EGW	GaAsP/GaP	Hi. effi Red	White Diffused	635	2.1	2.8	6.0	120
	GaP	Green		565	2.2	2.8	3.5	
L-419GYW	GaP	Green	White Diffused	565	2.2	2.8	2.5	120
	GaAsP/GaP	Yellow		585	2.1	2.8	2.0	
L-419LESGW	GaAlInP	Super Red	White Diffused	625	2.0	2.4	15	120
	GaP	Green		565	2.2	2.8	6.5	

L-519XX 5.0mm Dia LED LAMP, MULTI-COLOR



Part No.	Chip		Lens Color	Wave Length λ p(nm)	Electro-Optical Characteristics			View Angle (deg)
	Raw Material	Emitted Color			Vf(V)20mA		Iv(mcd)20mA	
					Typ.	Max.	Typ.	
L-519HGW	GaP	Red	White Diffused	700	2.3	2.8	8.0	120
	GaP	Green		565	2.2	2.8	18.0	
L-519EGW	GaAsP/GaP	Hi. effi Red	White Diffused	635	2.1	2.8	30.0	120
	GaP	Green		565	2.2	2.8	18.0	
L-519GYW	GaP	Green	White Diffused	565	2.2	2.8	18.0	120
	GaAsP/GaP	Yellow		585	2.1	2.8	15.0	
L-519LESGW	GaAlInP	Super Red	White Diffused	625	2.0	2.4	100	120
	GaP	Green		565	2.2	2.8	20.0	

1. All dimension are in millimeters (inches).
2. Tolerance is ± 0.25 mm (0.01") unless otherwise specified.