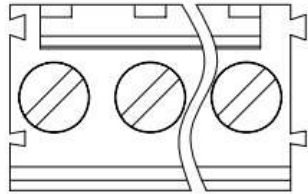
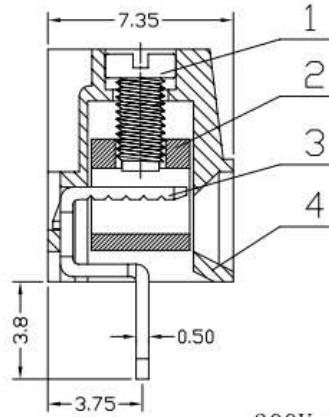
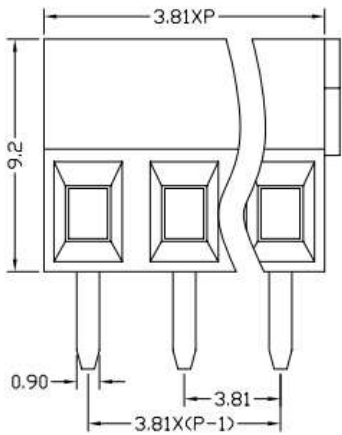


序号/Rev.No.	名称/Title	文件编号/File No.
1	XY303一字螺丝 (与XY302一字螺丝共用)	QJ/XYT-2148101
2	XY303铜方块 (与XY302铜方块共用)	QJ/XYT-2148102
3	XY303V 端子 (与XY302V端子共用)	QJ/XYT-2148104
4	XY303 塑件	QJ/XYT-2149101



300V 10A 26-16AWG 1.0mm²
Poles: 2P&3P-24P
Pitch: 3.81mm (.150")

Materials
Housing: PA66 (UL 94V-0)
Wire Cage: Brass, Nickel Plated
Solder Pin: Brass, Tin Plated
Screw: M2, Steel (A3), Zinc Plated
Torque: 0.2N.m

设计/Designed by	绘图/Drawing by	审核/Checked by	批准/Approved by	未注公差 General Tolerance
 新莱亚电子 XINLAIYA ELECTRONIC CO., LTD			图名/Title	XY303V 产品图
			文件编号/File No.	QJ/XYT-2249100
备注/Remark			页序/Sheet	单位/Unit: mm

?? /Rev.No.???? /Revision note ?? /signature?? /Date