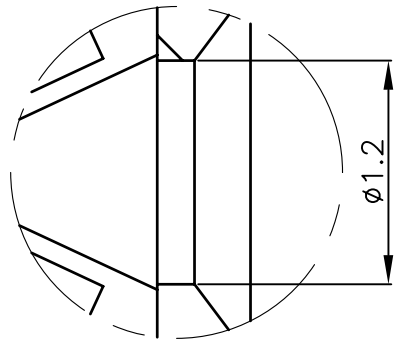
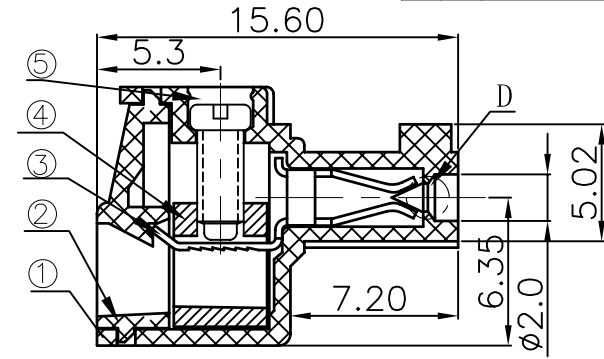
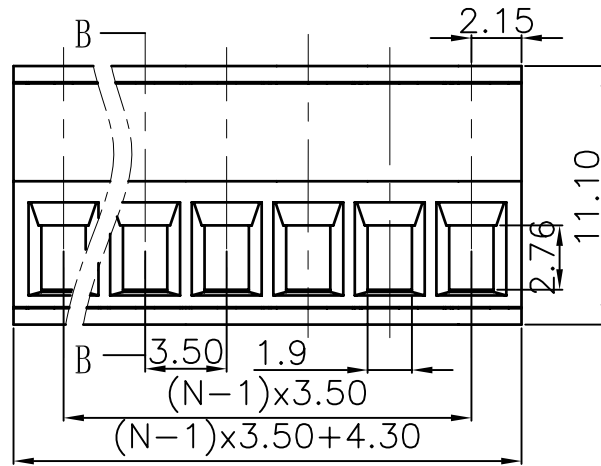


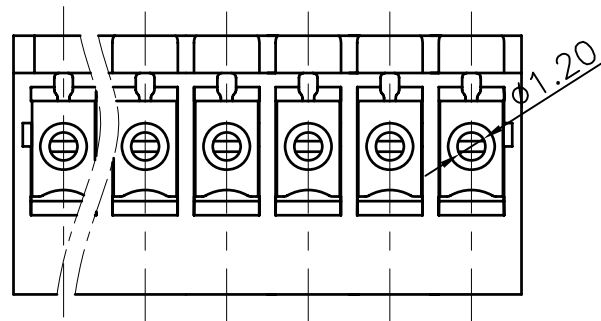
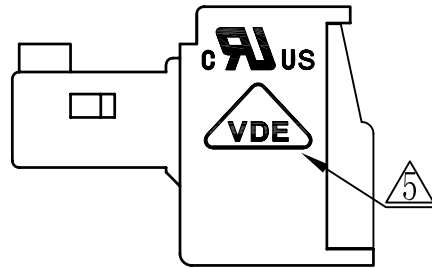
REVISION RECORD				
REV	ECO	DESCRIPTION	DRFT	DATE
△		Drawing emend	WF	04/06/06
△		Drawing emend	Yej	10/17/06
△		去掉UL中的小“R”字	csx	09/17/07
△		增加CE刻字并修改刻字	Zengy	06/24/08
△		增加VDE刻字	Zengy	12/26/08



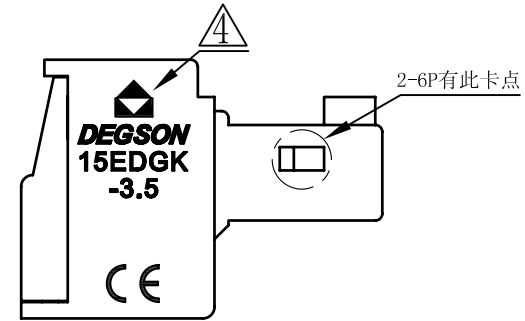
D 局部放大 (8:1)



SECTION B-B



VIEW-A



Notes:

- Pitch: 3.5mm Poles: 2-24P
- Rated voltage/current: UL 300V/8A
VDE 250V/7A
- Operation temperatures: -40°C~+105°C
- Withstanding Voltage: AC2000V/1Min
- Insulation Resistance: 5000MΩ/DC1000V
- Wire Range: 28~16AWG, 0.5~1.5mm²
- Max. Torque Value: M2.0, 2.04Kgf.cm
- Undimensioned Tolerances:

Pitch range in mm		Nominal dimension range in mm					
to	over	to	to	to	to	to	
6	6	10	30	60	100	150	∩
10	10	24	60	100	150		□
±0.10	±0.15	±0.25	±0.2	±0.3	±0.5	±0.7	±1
							0.05/10

5	15EDG M2"-Screws	S000001360(H)	XX	Steel	Cr ³⁺ Zn
4	15EDG Brass cage	X000000010(H)	XX	Brass	Ni plated
3	15EDG Clamp	1001B00010(H)	XX	Phospor Bronze	Ni plated
2	15EDGK-3.5-Cover	1001C0YXXA(H)	1	PA66	UL94V-0

1	15EDGK-3.5-Housing	1001A0YXXA(H)	1	PA66	UL94V-0
ITEM	NAME OF PART	NO. OF PART	Q'TY	MATERIAL	NOTES
DETACHED LISTS	MM (INCH)	DFTO HAOYH	DATE 04/19/05	宁波高正电子有限公司 DEGSON ELECTRONICS CO., LTD NAME 15EDGK-3.5-XXP-1Y-00A(H) DRAWING NO. 15EDGK-3.5-E06 SIZE A3 REV T5 /PART NO. 12/26/08 DO NOT SCALE DRAWING SHEET 1 OF 1	
	TOLERANCES EXCEPT AS NOTED		CHKD DATE		
	MFO DATE				
	APPLV DATE				
	MATERIAL :				
MM	±	ANGLES ± 1°		G,E :	
.0 ±	±	FINISH :		SCALE : 1:1	
.00 ±	±	THIRD ANGLE PROJECTION			
.000 ±	±				