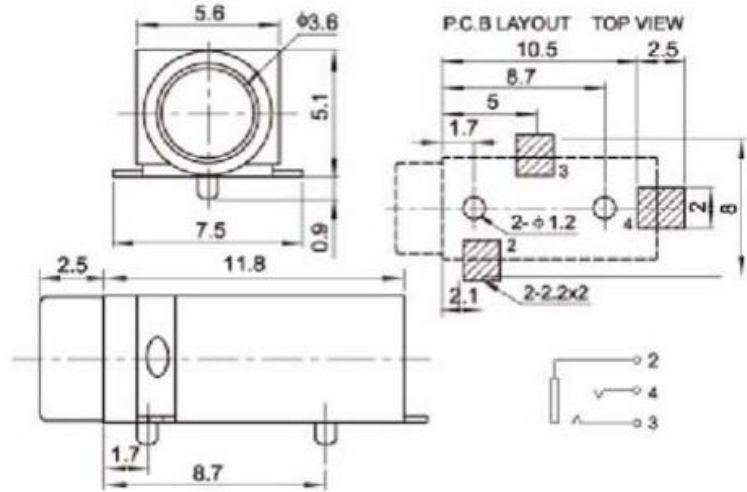




Аудио разъем:
СКХ3-3.5-26 гнездо



Temperature	-30 ~ 70 °C	Withstand V oltage	AC500V(50Hz)/min
Rated Load	DC 30V 0.5A	Actuating Force	3~20N
Contact Resistance	≤ 0.03 W	Life	5000
Insulation Resistance	≥ 100MW		