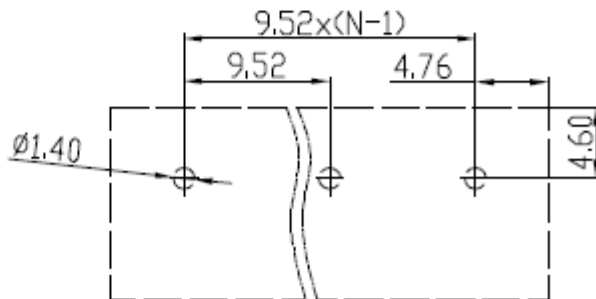
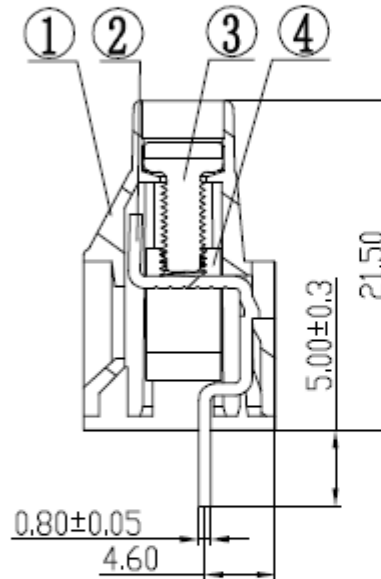
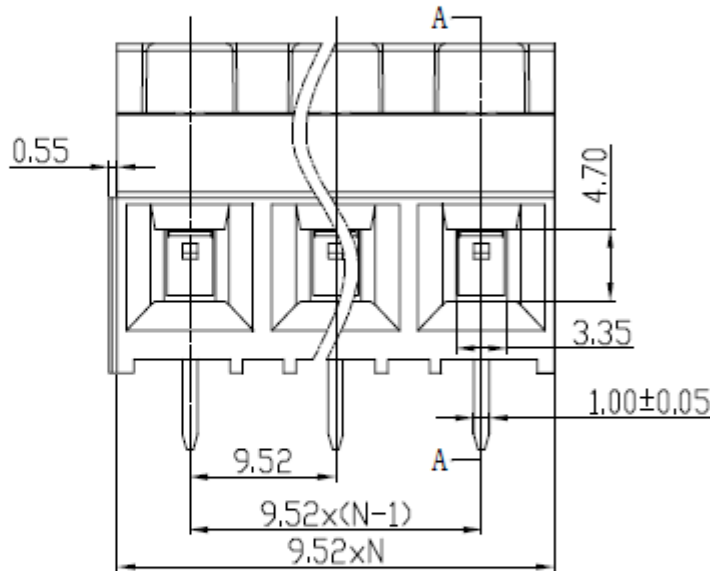
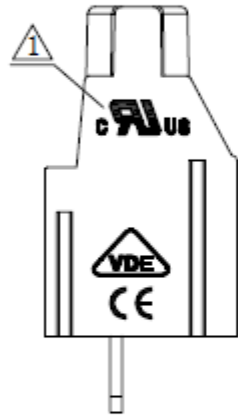
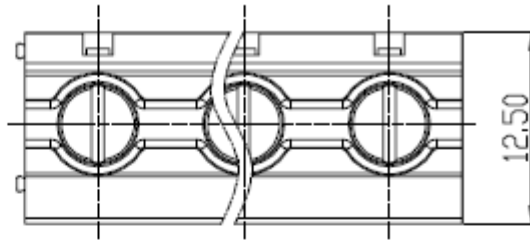


Notes:

1. Pitch: 9.52mm, Poles: 2-XXP
2. Rated voltage/current: UL 300V/30A
VDE 1000V/32A
3. Operation temperatures: -40°C ~ +105°C
4. Withstanding Voltage: AC2500V/1min
5. Insulation Resistance: 5000MΩ/DC1000V
6. Wire Range: 26AWG, 0.2~4.0mm²
7. Max. Torque Value: M3, 5.1kgf.cm
8. Undimensioned Tolerances:

Pitch range in mm		Nominal dimension range in mm						
to 6	over 6 to 10	over 10 to 24	over 30 to 60	over 60 to 100	over 100 to 150	over 150	∩	
±0.10	±0.15	±0.25	±0.2	±0.3	±0.5	±0.7	∇	



2	DG636-Pin header	4044B00010 (H)	XX	Brass	SnCe
1	DG636-9.52 Housing	4150A0YXXA (H)	1	PA66	UL94V-0
ITEM	NAME OF PART	NO. OF PART	Q'TY	MATERIAL	NOTES

DETAILED LISTS	MM (INCH)	DFTQ IN	DATE 02/14/09*
	TOLERANCES EXCEPT AS NOTED	CHKD	DATE
		MFD	DATE
		APPVL	DATE
		MATERIAL :	
	ANGLES ± 1°	G.E :	
		FINISH :	

DEGSON [®] 宁波高正电子有限公司 DEGSON ELECTRONICS CO., LTD	
NAME DG636-9.52-XXP-1Y-00A(H)	
DRAWING NO. DG636-9.52-E01	SIZE A4
/PART NO.	REV T1 02/05/10

4	DG950-Brass cage	X000000310 (H)	XX	Brass	Ni plated
---	------------------	----------------	----	-------	-----------