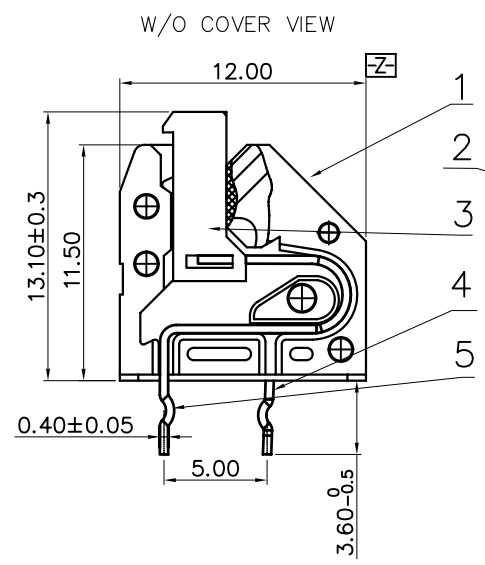
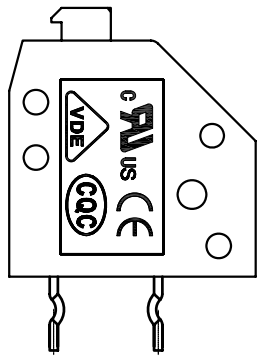
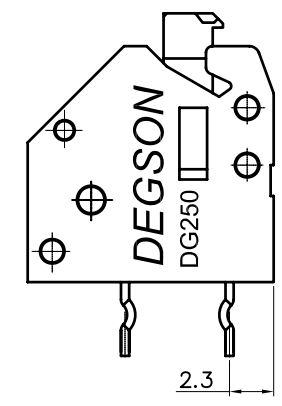
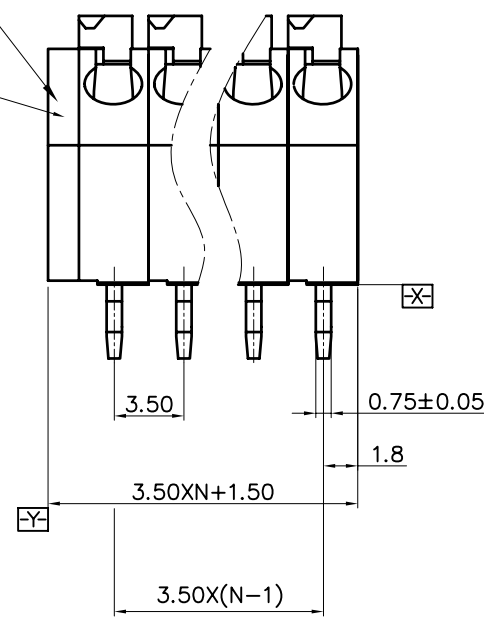


| REVISION RECORD | | | | |
|-----------------|-----|-------------|------|------|
| REV | ECN | DESCRIPTION | DRFT | DATE |

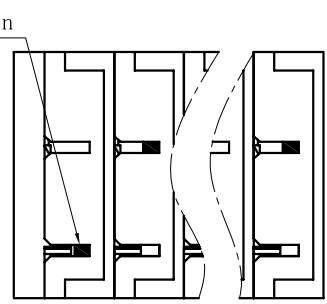
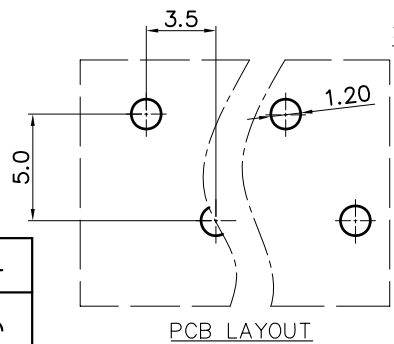
H
G
F
E
D
C
B
A



The first pin at left side is back pin.
从左侧起，第一个脚位为后脚。



- NOTES:
- 1.DIMENSION SHALL BE INTERPRETED PER ASME Y14.5-2009.
 - 2.PITCH: 3.5MM ,POLES: N=XXP
 - 3.RATED VOLTAGE/CURRENT: UL 300V/7A
VDE 450V/5A
 - 4.OPERATION TEMPERATURES: -40℃~+105℃
 - 5.WITHSTANDING VOLTAGE: AC2500V/1MIN
 - 6.INSULATION RESISTANCE: 5000MΩ/DC1000V
 - 7.WIRE RANGE: 22~18AWG,0.2~0.75MM²
 - 8.UNDIMENSIONED TOLERANCES:

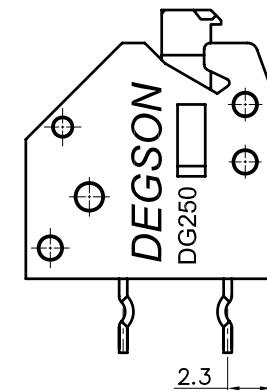
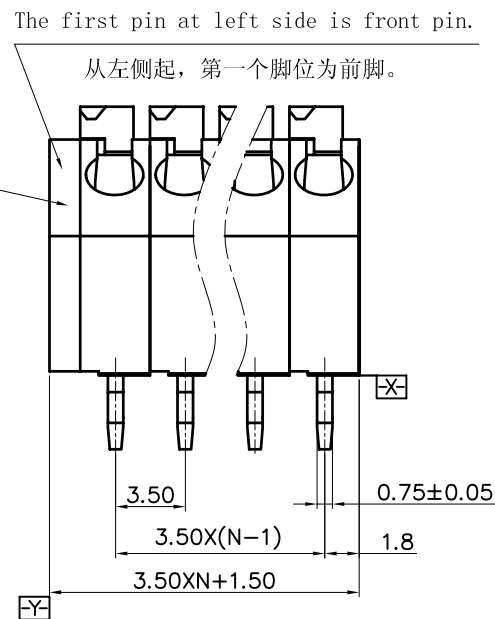
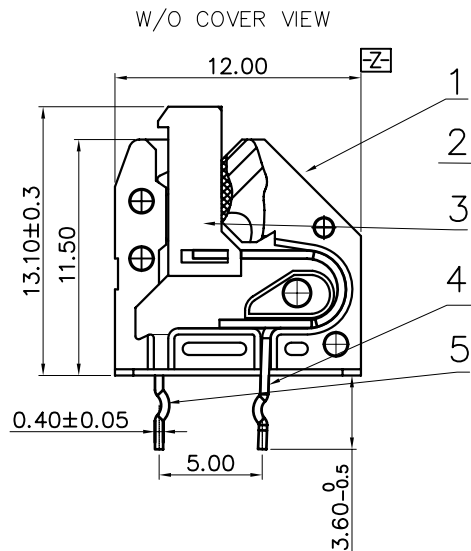
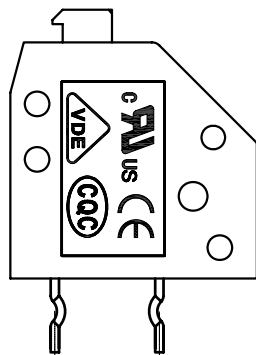


| PITCH RANGE IN MM | | | NOMINAL DIMENSION RANGE IN MM | | | | I | |
|-------------------|---------|---------|-------------------------------|---------|---------|---------|-------|---------|
| TO | OVER TO | OVER TO | TO | OVER TO | OVER TO | OVER TO | | |
| 6 | 10 | 10 | 30 | 60 | 100 | 150 | □ | |
| 6 | 10 | 24 | 30 | 60 | 100 | 150 | | |
| ±0.10 | ±0.15 | ±0.25 | ±0.20 | ±0.30 | ±0.50 | ±0.70 | ±1.00 | 0.05/10 |

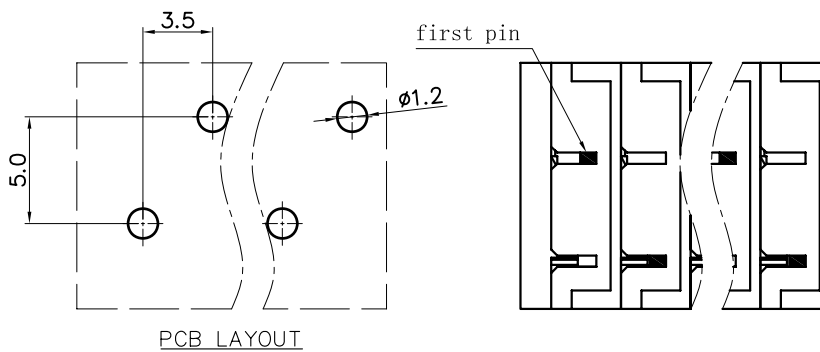
| 1 | DG250-3.5-Housing(自动化) | 3018AYY01C(H) | XX | PA66 | UL94V-0 |
|------------------------|----------------------------|---------------------|-----------|-------------------------|---------|
| ITEM | NAME OF PART | NO. OF PART | Q"TY | MATERIAL | NOTES |
| DETACHED LISTS | MM (INCH) | | MATERIAL: | | |
| | TOLERANCES EXCEPT AS NOTED | | FINISH: | | |
| | .X ± | .XX ± | PART NO.: | | |
| | .XX ± | .XXX ± | NAME: | | |
| ANGLES ± 1° | | APPD: | | TITLE: ASSEMBLY DRAWING | |
| THIRD ANGLE PROJECTION | | CHKD: | | DRAWING NO.: | |
| | | DRFT: MEK 12/25/14" | | DO NOT SCALE DRAWING | |
| | | SCALE | 1:1 | SHEET | 1/1 |

| | | | | | |
|---|---------------------------------|---------------|---------------|-----------------|-----------|
| 5 | DG250-3.5 big Pin header(自动化) | 3018B00090(H) | (XX+1)/2-XX/2 | Phosphor bronze | Sn plated |
| 4 | DG250-3.5 small Pin header(自动化) | 3018B00100(H) | (XX-1)/2-XX/2 | Phosphor bronze | Sn plated |
| 3 | DG250-3.5 Button(自动化) | 3018DYY01D(H) | XX | PA66 | UL94V-0 |
| 2 | DG250-3.5 Cover | 3018CYY01A(H) | 1 | PA66 | UL94V-0 |

| REVISION RECORD | | | | |
|-----------------|-----|-------------|------|------|
| REV | ECN | DESCRIPTION | DRFT | DATE |



- NOTES:
- 1.DIMENSION SHALL BE INTERPRETED PER ASME Y14.5-2009.
 - 2.PITCH: 3.5MM ,POLES:N=XXP
 - 3.RATED VOLTAGE/CURRENT:UL 300V/7A
VDE 450V/5A
 - 4.OPERATION TEMPERATURES:-40℃~+105℃
 - 5.WITHSTANDING VOLTAGE:AC2500V/1MIN
 - 6.INSULATION RESISTANCE:5000MΩ/DC1000V
 - 7.WIRE RANGE:22~18AWG,0.2~0.75MM²
 - 8.UNDIMENSIONED TOLERANCES:



| PITCH RANGE IN MM | | | NOMINAL DIMENSION RANGE IN MM | | | | | TOLERANCE |
|-------------------|---------|---------|-------------------------------|---------|---------|---------|---------|-----------|
| TO | OVER TO | OVER TO | TO | OVER TO | OVER TO | OVER TO | OVER TO | |
| 6 | 10 | 24 | 30 | 60 | 100 | 150 | 150 | 0.05/10 |
| ±0.10 | ±0.15 | ±0.25 | ±0.20 | ±0.30 | ±0.50 | ±0.70 | ±1.00 | 0.05/10 |

| 1 | DG250-3.5-Housing(自动化) | 3018AYY01C(H) | XX | PA66 | UL94V-0 | |
|---------------------------------|------------------------|---------------------|-------------------------|--------------------------------|-----------|-----------|
| ITEM | NAME OF PART | NO. OF PART | Q"TY | MATERIAL | NOTES | |
| ITEM TOLERANCES EXCEPT AS NOTED | MM (INCH) | MATERIAL: | | DEGSON® 宁波高正电子有限公司 | | |
| | .X ± | .X' ± | FINISH: | DEGSON ELECTRONICS CO., LTD | | |
| | .XX ± | .XX' ± | PART NO.: | NAME: DG250-3.5-XXP-1Y-01A(H). | | |
| .XXX ± | .XXX' ± | APPD: | TITLE: ASSEMBLY DRAWING | | REV | |
| ANGLES ± 1' | | CHKD: | DRAWING NO.: | | | |
| THIRD ANGLE PROJECTION | | DRFT: MEK 12/25/14" | DO NOT SCALE DRAWING | | SCALE 1:1 | SHEET 1/1 |

| | | | | | |
|---|---------------------------------|---------------|-------------|-----------------|-----------|
| 5 | DG250-3.5 big Pin header(自动化) | 3018B00090(H) | XX-1/2/XX/2 | Phosphor bronze | Sn plated |
| 4 | DG250-3.5 small Pin header(自动化) | 3018B00100(H) | XX+1/2/XX/2 | Phosphor bronze | Sn plated |
| 3 | DG250-3.5 Button(自动化) | 3018DYY01D(H) | XX | PA66 | UL94V-0 |
| 2 | DG250-3.5 Cover | 3018CYY01A(H) | 1 | PA66 | UL94V-0 |