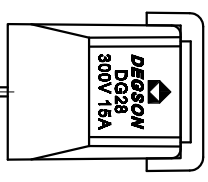
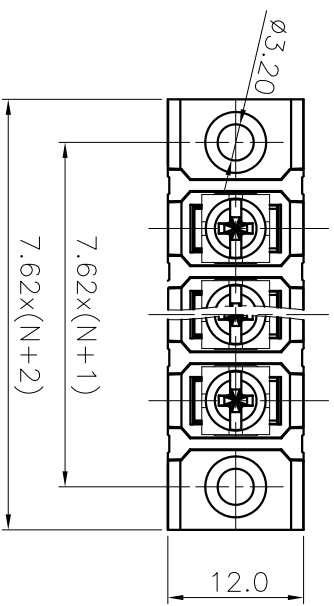


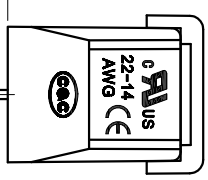
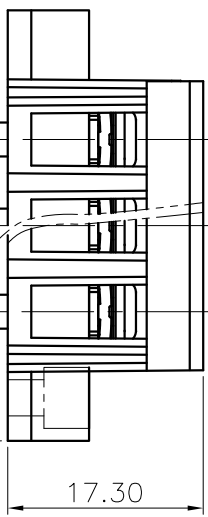
REVISION RECORD

REV	ECN	DESCRIPTION	DRFT	DATE

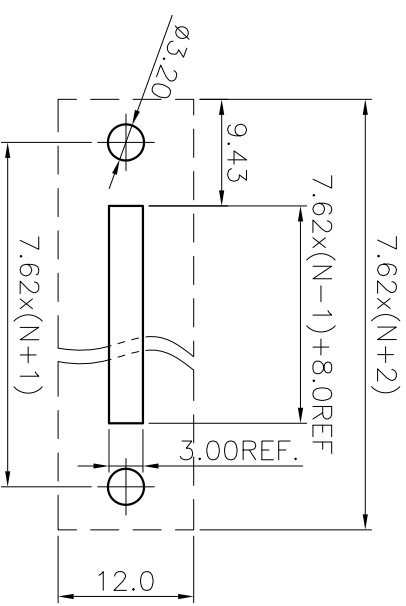
(W/O COVER)



0.80±0.05



8.0±0.3



NOTES1:

UL Standard

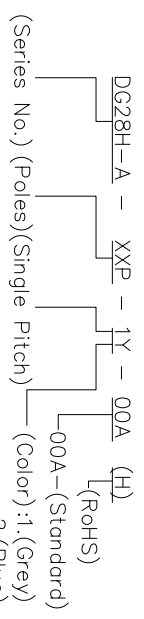
1. Rated voltage/current : 300V / 15A
2. Torque value : M3 , 4.43N.m
3. Wire range : 22~14AWG

NOTES2:

1. Dimension shall be interpreted per ASME Y14.5-2009
2. Pitch : 7.62mm, Poles : N=02~24P
3. Withstanding voltage : AC1600V/1Min
4. Operating temperature: -40°C~+105°C
5. Undimensioned tolerances:

Pitch range	in mm	Nominal dimension	range	mm	in mm	tolerance
Over	6	10	30	60	100	150
TO	10	24	50	100	150	±2°
TO	10	24	50	100	150	±2°
TO	10	24	50	100	150	±2°
TO	10	24	50	100	150	±2°
TO	10	24	50	100	150	±2°
TO	10	24	50	100	150	±2°
TO	10	24	50	100	150	±2°
TO	10	24	50	100	150	±2°
TO	10	24	50	100	150	±2°

6. RoHS Compliance



1. (Grey)
2. (Blue)
3. (Black)
4. (Green)
5. (Orange)
6. (Red)
7. (Transparent)
8. (Yellow)
9. (White)

DETACHED LISTS	
PART NO.:	/
APPD:	/
CHKD:	/
DRFT:	/
THIRD ANGLE PROJECTION	
NAME:	<b>DEGSON</b> 宁波高松电子有限公司 NINGBO DEGSON ELECTRICAL CO., LTD
TITLE:	CUSTOMER DRAWING
DRAWING NO.:	/
REV	DO
SHEET	1/1
SCALE	1:1

A 8 7 6 5 4 3 2 1